

Brice

The Lamderby310 and the Lamderby410 pack and seal food products in pouches.



Models
LAMDERBY310/410

Vacuum Packers

S M CE

Semi-Automatic; Manual Operation; CE Approved

Model LAMDERBY310/410 Vacuum Packers

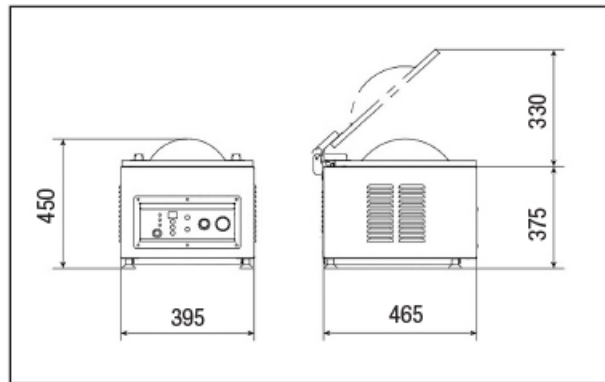
These vacuum packing machines pack and seal food products in pouches. The body and chamber are constructed of stainless steel and has a clear heavy duty sealing lid.

- Sealing bar is removeable for cleaning;
- Variable vacuum setting;
- Digital display for time and sealing times;
- CE Approved.

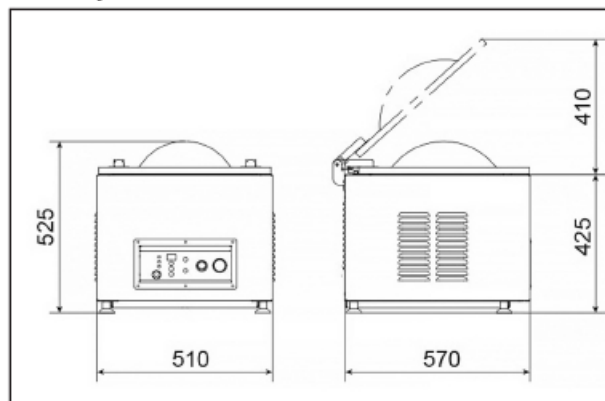
SPECIFICATIONS

	Derby310	Derby410
Sealing Bar	310mm	410mm
Pump Supplied	8mc/h	20mc/h
Overall Dimensions (mm)		
Width	395	510
Depth	465	570
Height	450	525
Chamber Dimensions (mm)		
Width	320	435
Depth	350	455
Height	115+60	115+60
Power	0.6HP, 450w	1HP, 750w
Net weight (kg)	47	80

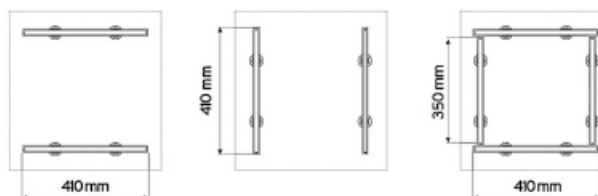
Lamderby310



Lamderby410



OPTIONAL SEALING BARS CONFIGURATIONS FOR LAMDERBY 410



RewardHospitality
rewardhospitality.com.au

